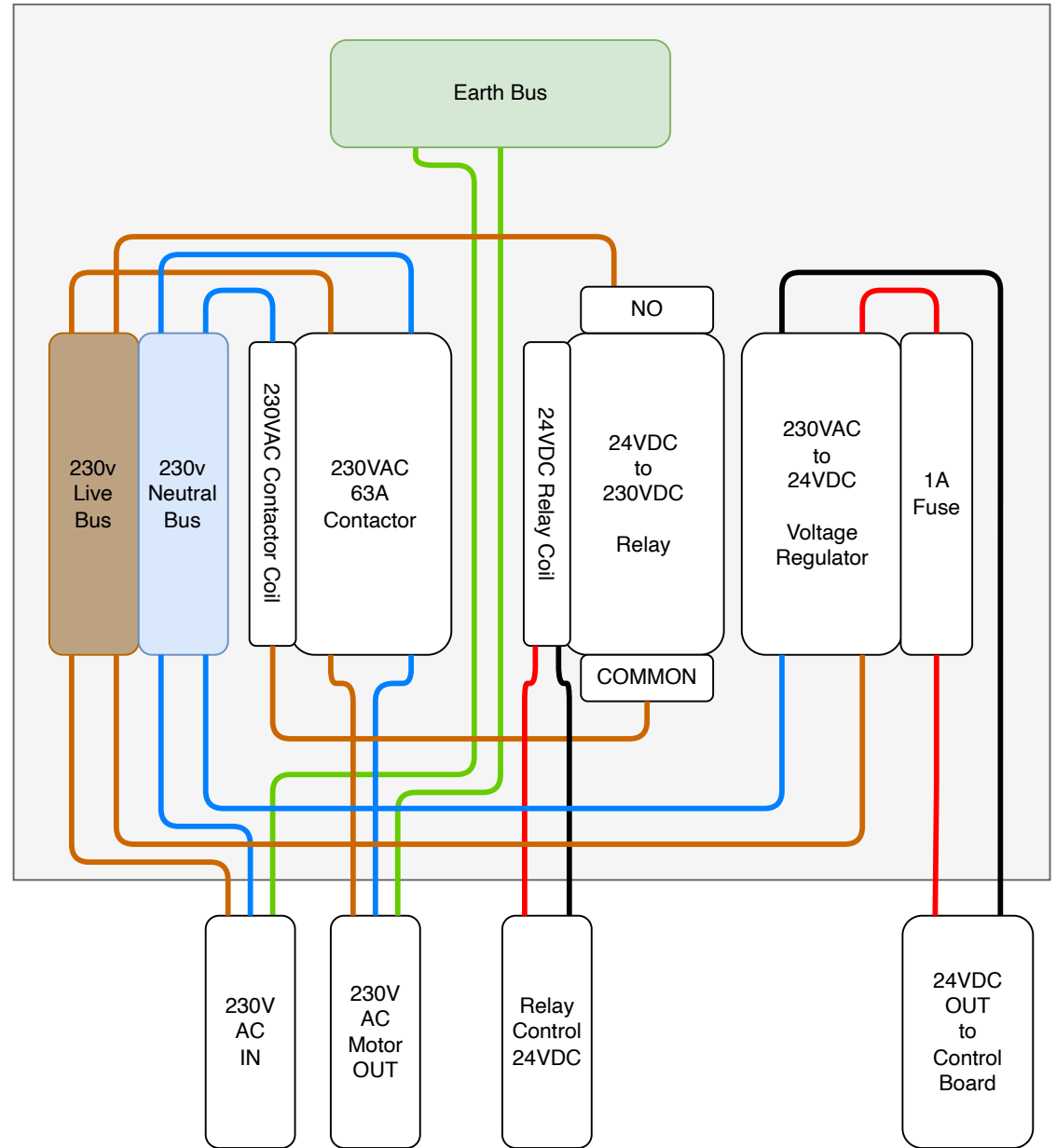
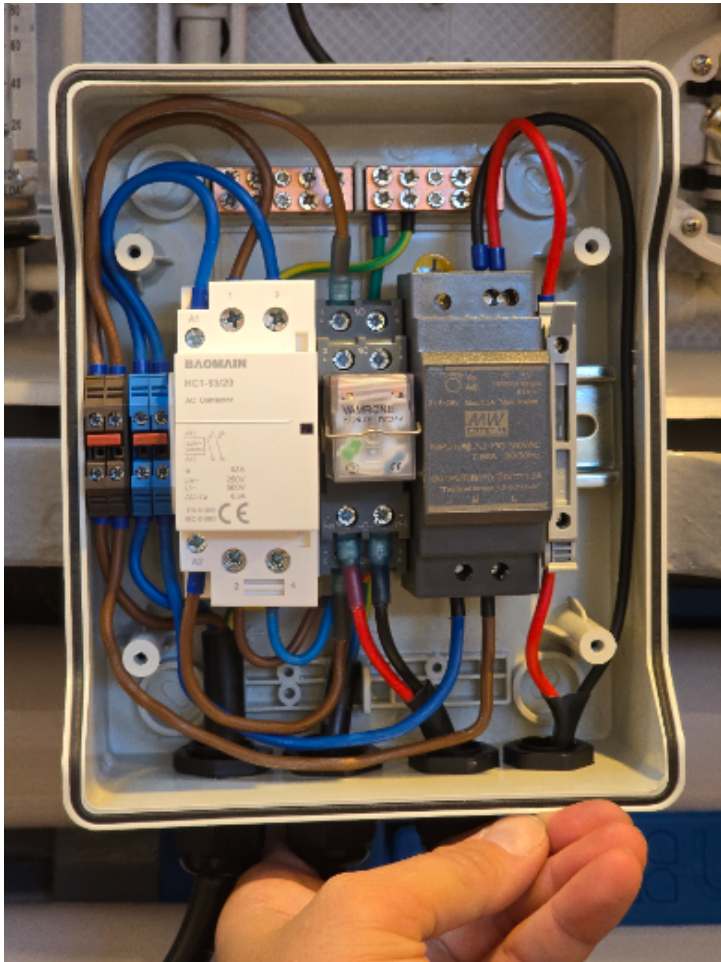


Phoenix Electrical - High Voltage Box



Notes:

This is an example setup of how you could wire up a control box for a 230v system with an AC motor. This is only an example for reference, please consult a qualified marine electrician and follow all safety regulations and requirements. These voltages can kill.